

**ECC-FFT****Fire Fighter Telephone****Fire Fighter Telephone****General**

Firelite's ECC-FFT is a Fire Fighter telephone system that provides secure and reliable communications for firefighters. This standalone system is capable of providing annunciation and control for local and remote telephone handsets. It includes a built in display and keypad that provide an indication of phone activation as well as corresponding trouble conditions. For added flexibility, 24 remote telephone connections are offered that can be monitored individually or as a group of multi-phone jacks. The auto-program feature automatically recognizes all existing fire fighter phone jacks on the system and immediately configures the system for full operation and supervision.

The ECC-FFT allows for up to ten users to plug in to a remote telephone jack (FPJ-F) and communicate simultaneously within a building. An onboard SLC circuit (capable of being wired in Class B (Style 4) or Class A (Style 6)) allows for continuous monitoring of the telephone jacks connected to the system. It is housed in a lockable cabinet that includes multiple knockout locations for field wiring.

**TYPICAL APPLICATIONS**

- Schools
- Healthcare Facilities
- Factories
- Theaters
- Military facilities
- Restaurants
- Auditoriums
- Places of Worship
- Office Buildings
- Dormitories

**Features**

- Provides supervision control and annunciation of up to 24 remote telephone jacks.
- Built-in Auto-program feature.
- Simple and straightforward user interface.
- Telephone circuit supervised with 4.7K $\Omega$ , End of line resistor when wired in Style Y, Class B operation.
- Full System status LED display.
- Onboard SLC circuit can be wired for class A (Style 6 or Style 7) or class B (Style 4) configuration.
- Full system status LED display.
- Supports Multi-Phone Jack Audio Circuit supervision.
- Onboard Form-C system trouble relay.
- Allows simultaneous operation of up to 10 Fire Fighter remote handsets (FHS-F when connected to the ECC-FFT).
- Fire Fighter Phone Jack (FPJ-F provides a plug-in location for the FHS-F).
- Fire Fighter Handset Cabinet (FHSC-RF/SF) is used to store five Fire Fighter Handsets (FHS-F).

**Optional Accessories**

- **FPJ-F:** Remote Phone Jack which mounts to a single-gang electrical box.
- **FHS-F:** Fire Fighter Handset used to communicate over the telephone circuit connected to the ECC-FFT.
- **FHSC-RF:** Fire Fighter Handset Cabinet (recess mount) is used to store five Fire Fighter Handsets (FHS-F).



- **FHSC-SF:** Optional Fire Fighter Handset Cabinet (surface mount) is used to store five Fire Fighter Handsets (FHS-F).
- **MMF-301:** Addressable monitor module that can be used to monitor the connection of the Fire Fighter Telephone remote handset (FHS-F). Up to 24 of these modules are supported by the ECC-FFT.
- **I300:** Fault Isolator module used to protect the ECC-FFT against wire-to-wire short circuits on the SLC loop. It is placed between each device or the SLC loop to isolate a short-circuit problem between the Remote Phone Jacks (FPJ-F) when Class A (Style 7) wiring is required

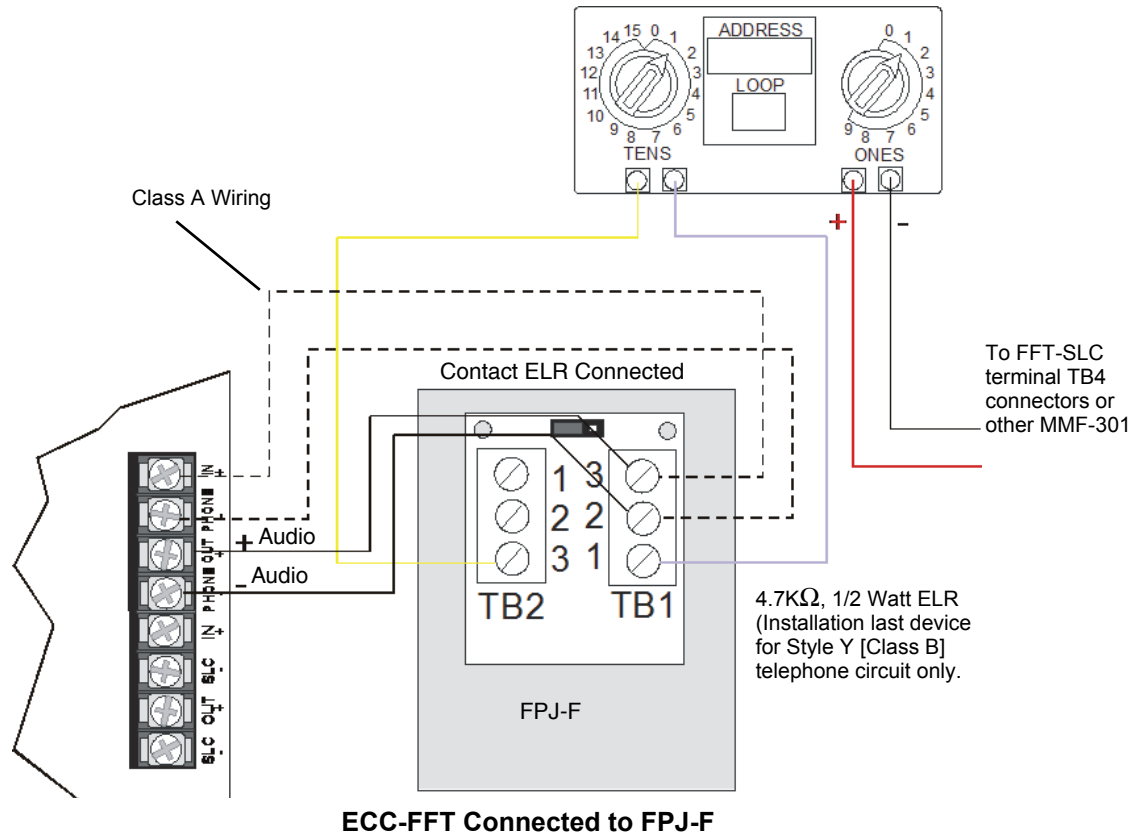
**Control and indicators****PUSH BUTTON CONTROLS**

- **Auto-program:** Searches the SLC loop on the ECC-FFT for devices. When a device is found, the active LED will blink in each zone.
- **Accept:** Used to accept the configuration after an auto-program is initiated.
- **Answer Call:** Will connect the local handset to a phone circuit for communication when a remote handset is plugged into a (FPJ-F phone jack).
- **Trouble Silence:** Used to silence a system type trouble that has occurred in the ECC-FFT system.

**LED INDICATORS (VISIBLE WITH DOOR AND DRESS PANEL OPEN)**

- **Status LED:** Will blink at a 50% on/off rate until FFT initialization is complete (which takes approximately 20 seconds). Once initialization is complete, the status LED will blink at a 10% on and 90% off rate.

- **Answer Call:** When a remote handset is connected to the audio channel, this LED will blink and the piezo will sound. The operator at the FFT then picks up the local handset and presses the Answer button which causes the Answer Call LED to remain on steady and the piezo goes silent. Once the last remote handset has been disconnected from the FFT, the answer LED will go blank and the system will be back to normal.
- **Power:** Indicates that 24 VDC is connected to the FFT.
- **Local Trouble:** Will activate and blink when there is a problem with the local handset.
- **Remote Trouble:** Will activate and blink when there is a problem with the phone circuit.
- **General Trouble:** Will blink active when system troubles are detected. When the Trouble Silence button is pressed, the General Trouble LED will light steady. Once all system troubles have been restored, the General Trouble LED will turn off.



**STATUS LEDS (ON INSIDE OF FFT DRESS PANEL)**

- LED 1 - SLC Supervision.
- LED 2 - SLC Extra Point Detected.
- LED 3 - Future Use.
- LED 4 - Audio Circuit.

**SUPERVISION**

- Zone Active: (Green): Will illuminate when a remote handset is plugged into that zone. The LED will turn off when the handset is removed from the zone.
- Zone Trouble: (Yellow): Will blink when specific SLC issues occur such as a missing device or double address. Pressing the Trouble Silence Key will cause the zone trouble LED to turn on steady. Once the zone trouble is corrected, the LED will turn off.

**WIRING REQUIREMENTS**

See Product manual Part number LS10031-000FL-E for detailed wiring requirements.

**Electrical Specifications**

**PRIMARY POWER REQUIREMENTS:**

- Voltage 24VDC (nominal) power limited, filtered, non-resettable.
- Voltage Range for operation: 17-29 VDC.
- Current Requirements:
  - Standby: 120mA.
  - Active: 230mA.

**ELECTRICAL RATINGS**

- SLC circuit:
  - Voltage output: 32VDC.
  - Current rating: 150mA.
- Audio Circuit:
  - Voltage output: 17VDC.
  - Current rating: 53mA.

**Compatible Devices**

**ECC-50/100:** Emergency Command Center. (Manual PN: LS10001-000FL-E).

**MS-9200UDLS:** Addressable Fire Alarm Control Panel (Manual PN: 52750).

**MS-9600(UD)LS:** Addressable Fire Alarm Control Panel (Manual PN: 52646).

**FCPS-24FS6/8:** Field Charger/Power Supply.(Manual PN: 51883).

## Product Line Information

**ECC-FFT: Fire Fighter Telephone System.**

**FPJ-F:** Remote Phone Jack.

**FHS-F:** Fire Fighters Remote Handset.

**FHSC-RF:** Fire Fighters Handset Cabinet Recessed.

**FHSC-SF:** Fire Fighters Handset Cabinet Surface Mount.

**MMF-301:** Addressable Mini-Monitor Module.

**I300:** SLC Line Isolation Module.

**TR-CE:** Optional Trim Ring.

**THUMBLTCH:** Optional Thumb Latch. (Non UL Listed).

## Total System Capacity

- **Total Remote telephone jacks (FPJ-F) supported: 24.**
- **Total MMF-301 devices supported: 24.**
- **Total FF Handsets (FHS-F) capable of activation at once: 10.**

## Cabinet Specifications

Backbox: 19.0"(48.26cm) high x 16.65"(42.29 cm) wide x 5.2"(13.23) deep.

Door: 19.26"(48.92cm)high x 16.821"(42.73cm) wide x 670"(1.707cm).

## Shipping Specifications

Weight: 50.6 lbs (22.95kg).

## Temperature and Humidity ranges

This system meets NFPA requirements for operation at 0-49° C/32-120° F and at a relative humidity 93% ± 2% RH (non-condensing) at 32°C ± 2°C (90°F ± 3°F). However, the useful life of the system's standby batteries and the electronic components may be adversely affected by extreme temperature ranges and humidity. Therefore, it is recommended that this system and its peripherals be installed in an environment with a normal room temperature of 15-27° C/60-80° F.

## Agency Listings and Approvals

The listings and approvals below apply to the basic ECC-FFT Fire Fighter Telephone system. In some cases, certain modules may not be listed by certain approval agencies or listing may be in process. Consult factory for latest listing status.

- **UL Listed:** S2424.
- **FDNY:** COA #6152.

## Standards and Codes

The ECC-FFT complies with the following UL Standards and with NFPA 72 Fire Alarm system requirements.

- UL 864.

---

©2013 by Honeywell International Inc. All rights reserved. Unauthorized use of this document is strictly prohibited.



This document is not intended to be used for installation purposes.  
We try to keep our product information up-to-date and accurate.  
We cannot cover all specific applications or anticipate all requirements.  
All specifications are subject to change without notice.



Made in the U.S. A.

For more information, contact Fire•Lite Alarms. Phone: (800) 627-3473, FAX: (877) 699-4105.  
[www.firelite.com](http://www.firelite.com)